

City of Fayetteville Staff Review Form

2017-0572

Legistar File ID

10/17/2017

City Council Meeting Date - Agenda Item Only
N/A for Non-Agenda Item

Chief Greg Tabor

9/29/2017

CENTRAL DISPATCH (260)

Submitted By

Submitted Date

Division / Department

Action Recommendation:

Approval of a resolution to purchase new dispatch furniture for the Central Dispatch Center from Xybix Systems through the Houston-Galveston Area Council (HGAC) Contract #EC07-16. The purchase amount is \$133,889.24

Budget Impact:

4470.200.8200-5801.00

Sales Tax Capital Improvements

Account Number

Fund

17002.1

Central Dispatch Improvements

Project Number

Project Title

Budgeted Item? Yes

Current Budget \$ 165,000.00

Funds Obligated \$ -

Current Balance \$ 165,000.00

Does item have a cost? Yes

Item Cost \$ 133,889.24

Budget Adjustment Attached? NA

Budget Adjustment

Remaining Budget \$ 31,110.76

V20140710

Previous Ordinance or Resolution # _____

Original Contract Number: _____

Approval Date: _____

Comments:



MEETING OF OCTOBER 17, 2017

TO: Mayor and City Council

THRU: Greg Tabor, Chief of Police

FROM: Natisha Claypool, Assistant Dispatch Manager

DATE: September 28, 2017

SUBJECT: **Approval of a resolution to purchase new dispatch furniture for the Central Dispatch Center from Xybix Systems**

RECOMMENDATION:

Approval of a resolution to purchase new dispatch furniture for the Central Dispatch Center from Xybix Systems through the Houston-Galveston Area Council (HGAC) Contract #EC07-16. The purchase amount is \$133,889.24.

BACKGROUND:

The furniture currently in dispatch is seventeen years old. Dispatch furniture is more complex than office furniture due to the fact it is used twenty-four hours a day. It also has to hold multiple computer monitors and equipment. Furniture made specifically for dispatch centers includes height adjustable desks, acoustical panel systems, cable/wire management, monitor arrays, and equipment storage. Central Dispatch currently has five dispatch consoles, a supervisor's desk and a call-taker desk.

DISCUSSION:

The purchase of this furniture will give Central Dispatch eight dispatch consoles and one supervisor desk. The increase of consoles will allow for future growth. Xybix Systems provides durable ergonomic consoles. They have a lifetime warranty and have been tested to BIFMA's (Business and Institutional Furniture Manufacturer's Association) standards.

BUDGET/STAFF IMPACT:

Capitol Improvement funds have been budgeted for the purchase of dispatch furniture.

Attachments:

Quote and Drawings

Xybix Systems, Inc.
 8207 SouthPark Circle
 Littleton, CO 80120
 Phone: 303-683-5656
 Fax: 303-683-5454
 EmilyH



Quote Number: 21573

Quote Date: 9/28/2017

Revision: C

Orig Create Date: 9/11/2017

Expires: 12/27/2017

Opp #: 0013322

Page: 1 of 4

Terms: 1% 20 Days, NET 30 Days

<p>Quote To: Acct: FAYPOLFAAR Fayetteville Police Department 100 W. Rock Fayetteville AR 72701</p>	<p>Ship To: Fayetteville Police Department 100 W. Rock Fayetteville AR 72701</p> <hr/> <p>Sales Person: GLEN HANSON Rep Phone: 214-727-1681 Email: GlenH@xybix.com</p>
--	--

HGAC Contract#: EC07-16

 09/28/2017: Drawing 3. -esh

 09/26/2017: Drawing R2. -esh

 09/11/2017: Drawing R1. -esh

 PLEASE NOTE: OPTIONAL ITEMS ARE NOT INCLUDED IN THE TOTAL PRICE.

 PLEASE CONTACT XYBIX TO HAVE ANY OPTIONAL ITEMS INCLUDED IN THE FINAL PRICE.

 FREIGHT & INSTALLATION CHARGES WILL BE ADJUSTED ACCORDINGLY.

Line	Part Number	Description	Qty	U/M	List Ea	Disc%	DiscPrice	Net Price
1.00	12343-44.	Panel System Priced by the Linear Foot: Grade 2 Fabric 12343-1-SS - 42-48in - 49 LF @ 176 12343-1-DS - 42-48in - 53 LF @ 238 12344-1-SS - 65in - 0 LF @ 236 12344-1-DS - 65in - .5 LF @ 329 Upper Tiles Fabric Color: TBD Grade 2 G2 Lower Tiles Fabric Color: TBD Grade 2 G2 Panel Trim Color: Black	1	EA	\$21,402.50	50	\$10,701.25	\$10,701.25
1.01	14529.	Panel Tile Acoustical Premium .75 NRC Tile 14x30 Upgrade	2	10.0 EA	\$97.00	50	\$48.50	\$485.00
1.02	14532.	Panel Tile Acoustical Premium .75 NRC Tile 14x48 Upgrade	3	4.0 EA	\$97.00	50	\$48.50	\$194.00
1.03	14535.	Panel Tile Acoustical Premium .75 NRC Tile 18x30 Upgrade	50	2.0 EA	\$97.00	50	\$48.50	\$97.00
1.04	14536.	Panel Tile Acoustical Premium .75 NRC Tile 18x36 Upgrade	4	32.0 EA	\$97.00	50	\$48.50	\$1,552.00
1.05	14538.	Panel Tile Acoustical Premium .75 NRC Tile 18x48 Upgrade	5	2.0 EA	\$97.00	50	\$48.50	\$97.00



Xybix Systems, Inc.
 8207 SouthPark Circle
 Littleton, CO 80120
 Phone:303-683-5656
 Fax:303-683-5454
 EmilyH



Quote Number: 21573

Quote Date: 9/28/2017

Revision: C

Orig Create Date: 9/11/2017

Expires: 12/27/2017

Opp #: 0013322

Page: 2 of 4

Terms: 1% 20 Days, NET 30 Days

2.00	14486.	Adj. Table Worksurface - Corner Dual Surface - 72L x 72R 10 RV - Cable Management Included	⁶	8.0 EA	\$1,848.00	50	\$924.00	\$7,392.00
3.00	15844	T5S Table Base for 72X72 Corner Worksurface	⁸	8.0 EA	\$6,205.00	50	\$3,102.50	\$24,820.00
OPEN MARKET								
4.00	12056.	Monitor Mount - Rollervision - - 2HI - Corner - Dual Surface - 72L x 72R 10 RV - 12076 - Std VESA Monitor Mount Qty = 8	⁹	8.0 EA	\$4,326.00	50	\$2,163.00	\$17,304.00
5.00	15561	Cable Management J Channel 3.5"Top x 2.5" Height- 5.45"Bottom	¹⁰	12.0 EA	\$17.00	50	\$8.50	\$102.00
5.01	12904	DataDock - Keyboard Surface Cable Organizer Cables Sold Separately	¹¹	8.0 EA	\$393.00	50	\$196.50	\$1,572.00
5.02	11677	Ext Cable USB Type A to Type A Panel Mount for Datadock Male/Female 5M (16.4')	¹²	40.0 EA	\$29.00	50	\$14.50	\$580.00
5.03	15408	DataDock RJ-45 Cat6 Coupler with 25' Cable Kit	¹³	16.0 EA	\$70.00	50	\$35.00	\$560.00
5.04	12787	USB Type A to Type A Keyboard/Mouse Extension 5M (16' 4") - Color: BLACK	¹⁶	2.0 EA	\$34.00	50	\$17.00	\$34.00
5.05	13729	Ext Monitor Cable 25' VGA High Quality Male/Female	⁵¹	25.0 EA	\$98.00	50	\$49.00	\$1,225.00
OPEN MARKET								
5.06	11132	Ext Audio Cable 3.5mm Jack Male/Female 25'	¹⁸	10.0 EA	\$34.00	50	\$17.00	\$170.00
5.07	14349	Display Port Cable 25 FT Male/Male	⁵²	74.0 EA	\$75.00	50	\$37.50	\$2,775.00
5.08	15095	HDMI Cable w/ Ethernet M/M 25' High Speed	⁵³	8.0 EA	\$75.00	50	\$37.50	\$300.00
6.00	11792.	Power Bar - 10 Outlet	¹⁹	18.0 EA	\$135.00	50	\$67.50	\$1,215.00
6.01	14976	6 Outlet Power Strip 25'	²⁰	5.0 EA	\$144.00	50	\$72.00	\$360.00
7.00	15280	Task Light Assembly Kit LED - Z-Bar Solo Mini Blk, Warm White	²¹	1.0 EA	\$454.00	50	\$227.00	\$227.00
7.01	15618MCC	Task Light Pair LUX2 LED My Climate	²²	8.0 EA	\$467.00	50	\$233.50	\$1,868.00
7.02	12604MCC	Light - LED Status Indicator 56MM 3 HI Red-Yellow-Green-24VAC/DC For MyClimate	²³	8.0 EA	\$1,050.00	50	\$525.00	\$4,200.00



Xybix Systems, Inc.
 8207 SouthPark Circle
 Littleton, CO 80120
 Phone:303-683-5656
 Fax:303-683-5454
 EmilyH



Quote Number: 21573

Quote Date: 9/28/2017
Revision: C
Orig Create Date: 9/11/2017
Expires: 12/27/2017
Opp #: 0013322
Page: 3 of 4

Terms: 1% 20 Days, NET 30 Days

8.00	15476	Shelf Under Surface USB Charging Upgrade Assembly	25	8.0 EA	\$105.00	50	\$52.50	\$420.00
8.01	15463	Shelf Under Surface 19W x 9D - Metal	24	8.0 EA	\$127.00	50	\$63.50	\$508.00
9.00	15620MCC	MyClimate Personal Climate Control With Forced Air Heat 250W X2 = 500W	26	9.0 EA	\$1,999.00	50	\$999.50	\$8,995.50
10.00	12031.	Return Worksurface - 96Wx24D	27	1.0 EA	\$515.00	50	\$257.50	\$257.50
10.01	13094.	Return Worksurface - 72Wx78D	28	1.0 EA	\$1,483.00	50	\$741.50	\$741.50
10.02	12033.	Return Worksurface - 30Wx36D	29	8.0 EA	\$410.00	50	\$205.00	\$1,640.00
10.03	12033.	Return Worksurface - 48Wx36D	30	4.0 EA	\$410.00	50	\$205.00	\$820.00
11.00	13636.	CPU Cabinet - Under Work Surface 18Wx29D with Sliding Shelf	32	1.0 EA	\$1,170.00	50	\$585.00	\$585.00
11.01	13621.	CPU Cabinet - Under Work Surface 30Wx33D with Sliding Shelf	33	7.0 EA	\$1,440.00	50	\$720.00	\$5,040.00
11.02	15707	Cable Bridge Corner Left Side	34	4.0 EA	\$200.00	50	\$100.00	\$400.00
11.03	15708	Cable Bridge Corner Right Side	35	4.0 EA	\$200.00	50	\$100.00	\$400.00
12.00	11352.	Drawer Pedestal - Fixed - Single - 16W - 6-6-12 Drawers 22D -	36	3.0 EA	\$998.00	50	\$499.00	\$1,497.00
12.01	12425.	Drawer Pedestal - Fixed - Bookcase Left - 30W - 12-12 Drawers 22D -	37	1.0 EA	\$950.00	50	\$475.00	\$475.00
12.02	12425.	Drawer Pedestal - Fixed - Bookcase Right - 30W - 12-12 Drawers 22D -	38	1.0 EA	\$950.00	50	\$475.00	\$475.00
12.03	13645.	Drawer Pedestal - Fixed - Dual Ped with Bookcase - 48W - 12-12 Drawers 22D - 12-12 Drawers 22D	39	2.0 EA	\$1,995.00	50	\$997.50	\$1,995.00
14.00	13048.	Lateral File - 48W - 2 Drawer 30H	40	2.0 EA	\$1,606.00	50	\$803.00	\$1,606.00
18.00	12235	Support - "L" Bracket 18"	42	1.0 EA	\$34.00	50	\$17.00	\$17.00
18.01	14655	Wall Screw Anchor Kit	43	2.0 EA	\$9.00	50	\$4.50	\$9.00
18.02	10005	Table Support leg	44	2.0 EA	\$76.00	50	\$38.00	\$76.00

Xybix Systems, Inc.
 8207 SouthPark Circle
 Littleton, CO 80120
 Phone:303-683-5656
 Fax:303-683-5454
 EmilyH



Quote Number: 21573

Quote Date: 9/28/2017

Revision: C

Orig Create Date: 9/11/2017

Expires: 12/27/2017

Opp #: 0013322

Page: 4 of 4

Terms: 1% 20 Days, NET 30 Days

18.03	14329.	Filler Panel - Panel Frame Attachment	45	4.0 EA	\$126.00	50	\$63.00	\$252.00
19.00	10176	Cup Holder - Blk	46	8.0 EA	\$90.00	50	\$45.00	\$360.00
90.00	12356	Installers Kit	48	8.0 EA	\$-		\$0.00	\$0.00
99.00	OTHER	Other Charges & Services	49	1.0 EA	\$-		\$0.00	\$0.00

Line(49) - Miscellaneous Charge -	
Freight - FullTruck NonTaxable	\$1,845.00
Installation - Non-Taxable	\$15,750.00

List Price Total	\$208,799.50	Lines Total:	\$104,399.75
		Line Miscellaneous Charges Total:	\$17,595.00
		Quote Total:	\$121,994.75

Note 1:

All quoted taxes are estimated. Any applicable taxes, fees, permits, etc. must be added to this quote.

Note 2:

Where installation is listed on quote it is based in non-union labor and on one trip for installation only. Client is responsible for coordination of Technicians and other Vendors/Contractors. Waiting time will be charged at the rate of \$75 per man hour straight time and \$115 per man hour for OT plus subsistence expenses. Additionally, this quote is based upon a remodel in an existing space and/or new building - completely finished with a Certificate of Occupancy. Any project where the General Contractor is still on the job is subject to additional charges.

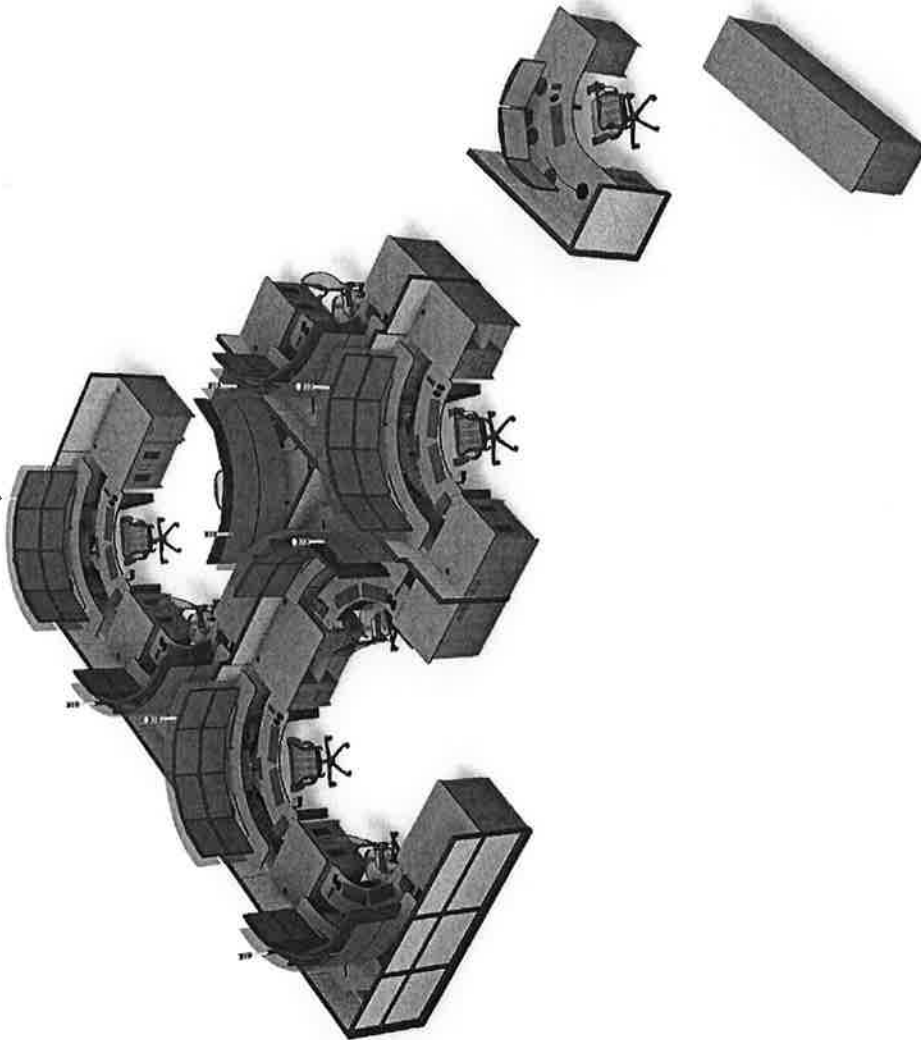
We appreciate this opportunity to provide this quote. Our goal is to substantially improve working conditions for your valuable staff. We look forward to meeting with you to review this proposal in detail. In the meantime please don't hesitate to call us with any questions.



8207 SouthPark Circle
 Littleton, CO. 80120
 1.800.788.2810 F.303.583.5454
 www.xybix.com

Sales Rep: Glen Heinson
 Email: glenn@xybix.com
 Designer: Emily Houston
 Email: emily@xybix.com

Fayetteville Police Department
 100 W. Rock
 Fayetteville, AR 72701



OPORTUNITY: 0013822
DRAWING NAME: COVER PAGE
SHEET: 1 of 4
SCALE: NONE
NOTE: This design & layout is the property of XYBIX Systems, Inc. & is without express written permission by XYBIX Systems, Inc.
SIGN-OFF INITIALS: X
REV 3

REV	DESCRIPTION	DATE	DSGN	COVER PAGE
0	Drawing Creation Date	08.29.17	esh	
1	Goto Meeting	08.31.17	esh	
2	Remove UPS from cabinets and add an additional workstation.	09.26.17	esh	
3	Update Cables and remove Anti-Microbial.	09.28.17	esh	

REV	DESCRIPTION	DATE	DSGN	COVER PAGE
0	Drawing Creation Date	08.29.17	esh	
1	Goto Meeting	08.31.17	esh	
2	Remove UPS from cabinets and add an additional workstation.	09.26.17	esh	
3	Update Cables and remove Anti-Microbial.	09.28.17	esh	

REV	DESCRIPTION	DATE	DSGN	COVER PAGE
0	Drawing Creation Date	08.29.17	esh	
1	Goto Meeting	08.31.17	esh	
2	Remove UPS from cabinets and add an additional workstation.	09.26.17	esh	
3	Update Cables and remove Anti-Microbial.	09.28.17	esh	

CABLE TYPES-TOTALS AS NOTED ON QUOTE
 Monitors-Display Port: 74 VGA: 25
 HDMI: 8
 DataDock- USB: 40
 RJ-45: 16
 Outside DataDock-USB: 2 Audio: 10

Signed cable sheet received
 YES NO

Signature: _____ Title: _____ Date: _____

SIGN OFF APPROVAL: Furniture orders and product installation shall not proceed until the Client has given approval to these documents. Approval of the Client shall constitute approval of the drawings for contents, scope of work and all dimensions regarded by the Client as being necessary to the use of space, furnishings and equipment. Furniture orders, or product installation authorized by the Client from these documents, shall be interpreted by XYBIX as approval in full to these documents by the Client. Revisions after approval of these documents shall result in additional costs.



8207 SouthPark Circle
 Littleton, CO, 80120
 1.800.788.2810 F.303.683.5454
 www.xybix.com

Sales Rep: Chen Hanson
 Email: chen@xybix.com
 Designer: Emily Houston
 Email: emilyh@xybix.com

Fayetteville Police Department
 100 W. Rock
 Fayetteville, AR 72701

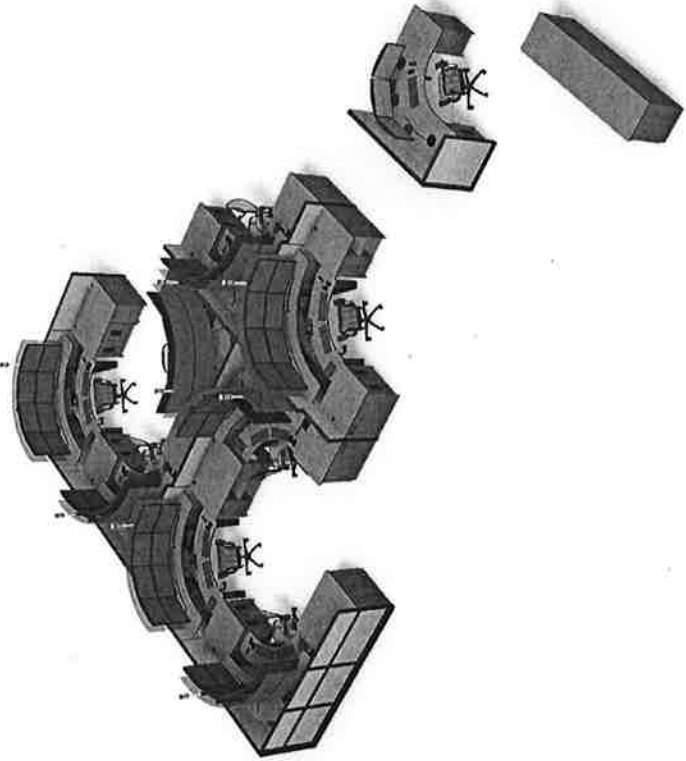
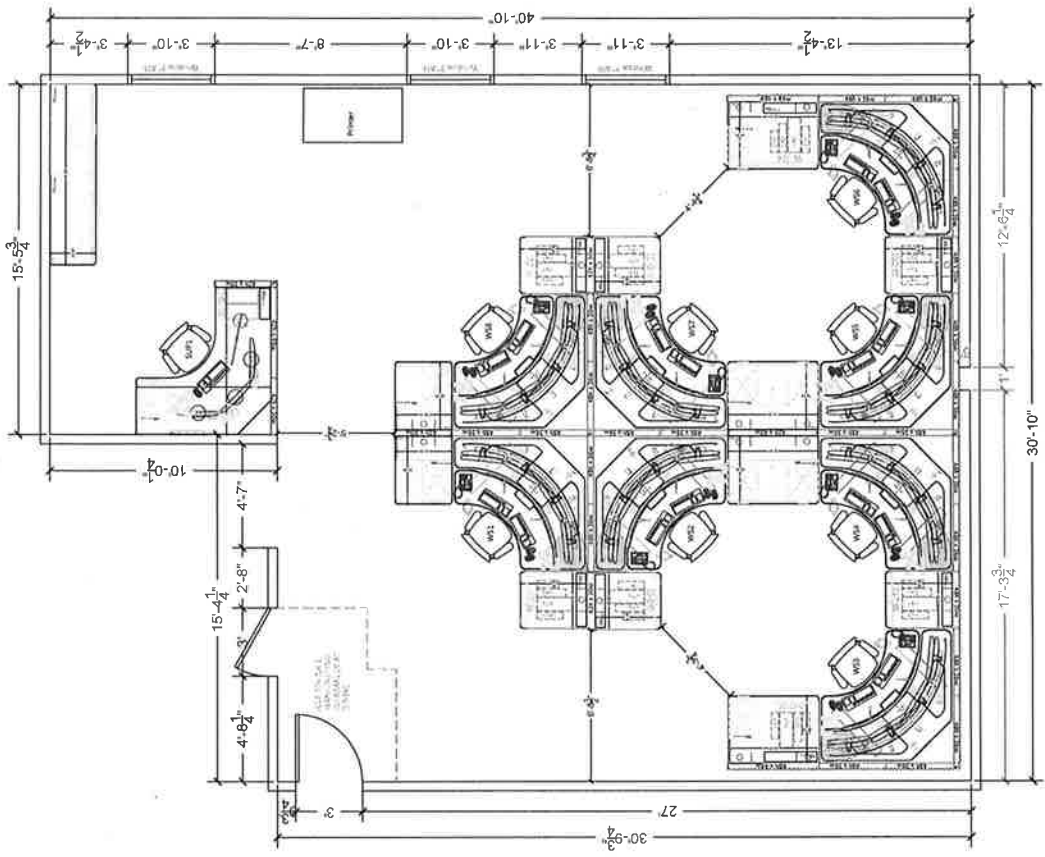
OPPORTUNITY: 001332

DRAWING NAME:
OVERALL VIEW

SHEET: 2 of 4
 SCALE: As Noted

NOT: This design & layout is the property of XYBIX Systems, Inc. & is not to be used in any manner without written permission by XYBIX Systems, Inc.

SIGN-OFF INITIALS: X
 REV 3



Ceiling Height: ?
 Power & Data from: Floor

OVERALL VIEW
 SCALE: 3/8" = 1'-0"

RENDERING
 SCALE: NONE

AS-BUILT ROOM DIMENSIONS NEED TO BE VERIFIED PRIOR TO ORDER ENTRY



8207 SouthPark Circle
Littleton, CO, 80120
1.800.788.2810 F.303.683.5454
www.xybix.com

Sales Rep: Glen Hanson
Email: glesh@xybix.com
Designer: Emily Houston
Email: emih@xybix.com

Fayetteville Police Department
100 W. Rock
Fayetteville, AR 72701

OPPORTUNITY: 0013322
DRAWING NAME:
TYPICAL WORKSTATION
SHEET: 3 of 4
SCALE: As Noted

NOTE: This design & layout is the property of XYBIX Systems, Inc. & is not to be used in any manner without written permission by XYBIX Systems, Inc.

SIGN-OFF INITIALS: X
REV 3

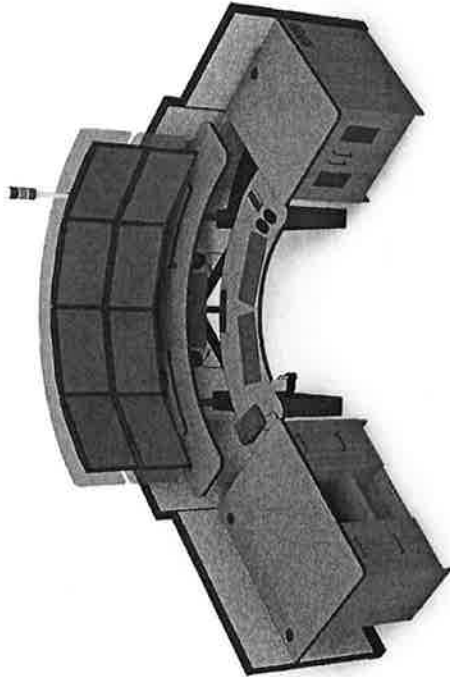
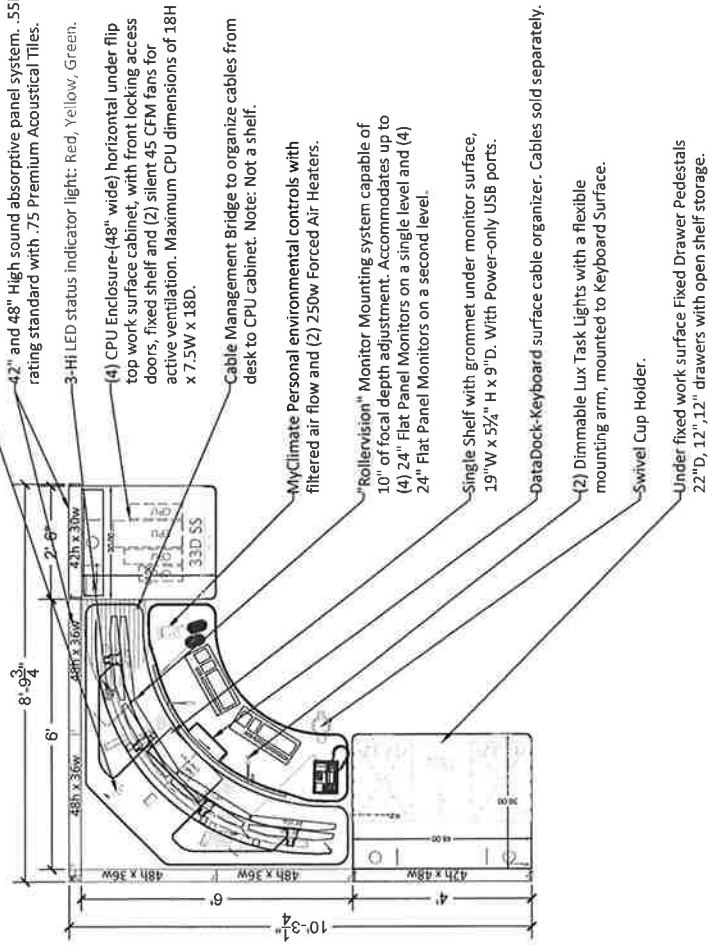
PANEL FABRIC	LAMINATE	MELAMINE	HANDLE
NOT SELECTED	NOT SELECTED	NOT SELECTED	NOT SELECTED

CONCEPTUAL IMAGES-REFER TO ACTUAL COLOR SAMPLES FOR EXACT COLOR REPRESENTATION

FINISHES

COLOR	COLOR	COLOR	TYPE AND COLOR
NOT SELECTED	NOT SELECTED	NOT SELECTED	NOT SELECTED

xybix Dual Surface Console with true sit to stand adjustment range of (22"-48" AFF) with T5s Table Base.



TYPICAL WORKSTATION
SCALE: 3/8"=1'-0"

RENDERING
SCALE: NONE



8207 SouthPark Circle
 Littleton, CO, 80120
 1.800.788.2810 F.303.683.5454
 www.xybix.com

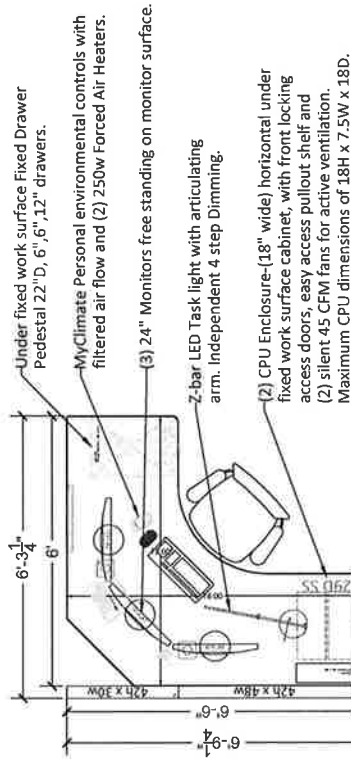
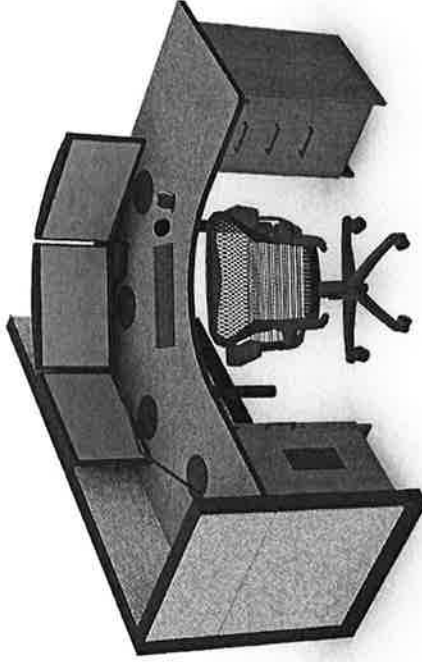
Sales Rep: Glen Hansen
 Email: glen@xybix.com
 Designer: Emily Houston
 Email: emilyh@xybix.com

Fayetteville Police Department
 100 W. Rock
 Fayetteville, AR 72701

OPPORTUNITY: 001322
 DRAWING NAME:
TYPICAL WORKSTATION
 SHEET: 4 of 4 SCALE: As Noted

NOTE: This design & layout is the property of XYBIX Systems, Inc. & is provided for your information only. Without express written permission by XYBIX Systems, Inc.

SIGN-OFF INITIALS:	REV
X	3



RENDERING
 SCALE: NONE

TYPICAL WORKSTATION
 SCALE: 3/8"=1'-0"

CABLE CONNECTIONS

MONITOR EXTENSION CABLES PER POSITION

Position Type: WS1- WS8

VGA

Male / Female Extension
Standard connection for monitors



QTY: 3 ea.

DVI-D

Male / Female Extension
Typical for Hi-Resolution



QTY: 0

DVI-I 10' Max Length

Male / Female Extension
Typical for Hi-Resolution



QTY: 0

HDMI

Male / Male Replacement
Typical for Hi-Resolution



QTY: 1 ea.

OTHER TYPICAL CABLE TYPES

Display Port

Male / Male Replacement
Typical for Hi-Resolution



QTY: 8 ea.

DB-9

9 Pin Serial Cable



QTY: 0

Standard connection
for Touch Screen

USB

Keyboard Mouse



QTY: 0

5 included in datadock

AUDIO

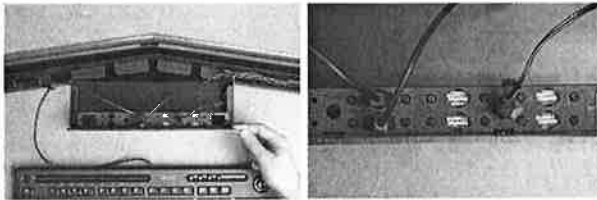
Typical for Speakers



QTY: 1 ea.

Standard Keyboard / Mouse Connectors WITHOUT DataDock

DATA DOCK: For Keyboard; Mice and Phone connection.
Data Dock USB Cables are exclusively sold through Xybix only.



The data dock will be supplied with (2) RJ-45 couplers and (5) USB connectors. **TEN PORTS AVAILABLE.**

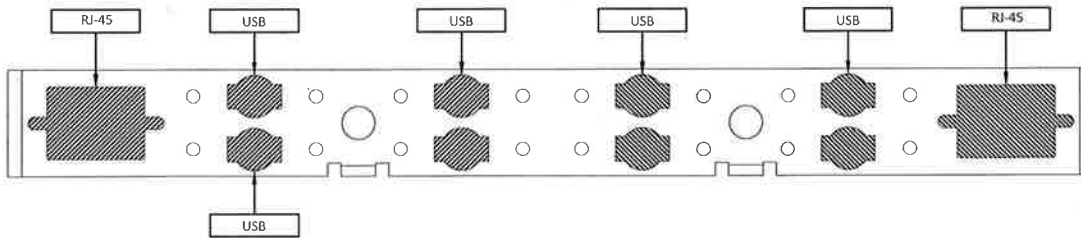
USB



RJ - 45 Network



Compatible with RJ-11



OPTIONAL: Power-Only USB

Yes No

Location	
<input type="checkbox"/>	Datadock
<input checked="" type="checkbox"/>	Shelf Under Monitor Surface

If different cable connector types are required it is your responsibility to contact your designer or sales rep.

*** Any information that is received and/or changed following receipt of the sign-off drawing and PO may result in additional costs that will be expensed to the client***

Signature _____ Date _____

REVISIONS				Fayetteville Police Department 100 W. Rock Fayetteville, AR 72701		8207 SouthPark Circle Littleton, CO. 80120 1.800.788.2810 F.303.683.5454 www.xybix.com		
REV	DESCRIPTION	DATE	DSGN					
0	Drawing Creation Date	08.29.17	esh	DRAWING NAME: CABLE SHEET	OPPORTUNITY: 0013322	Designer: Emily Houston Email: emilyh@xybix.com	Sales Rep: Glen Hanson Email: glanh@xybix.com	REV 3
1	Go to Meeting	08.31.17	esh					
2	Remove UPS from cabinets and add an additional workstation.	09.26.17	esh	SHEET: CABLE SHEET	SCALE: NONE	NOTE: This design & layout is the property of XYBIX Systems, Inc & is not to be used in any manner without express written permission by XYBIX Systems, Inc.		
3	Update Cables and remove Anti-Microbial.	09.28.17	esh					

CABLE CONNECTIONS

MONITOR EXTENSION CABLES PER POSITION

Position Type: SUP

VGA
Male / Female Extension
Standard connection for monitors



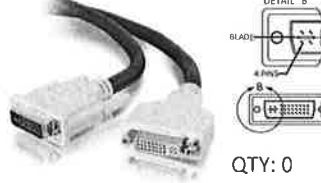
QTY: 1 ea.

DVI-D
Male / Female Extension
Typical for Hi-Resolution



QTY: 0

DVI-I 10' Max Length
Male / Female Extension
Typical for Hi-Resolution



QTY: 0

HDMI
Male / Male Replacement
Typical for Hi-Resolution



QTY: 0

OTHER TYPICAL CABLE TYPES

Display Port
Male / Male Replacement
Typical for Hi-Resolution



QTY: 2 ea.

DB-9
9 Pin Serial Cable



QTY: 0

Standard connection for Touch Screen

USB
Keyboard Mouse



QTY: 2 ea.

AUDIO
Typical for Speakers



QTY: 2 ea.

Standard Keyboard / Mouse Connectors WITHOUT DataDock

If different cable connector types are required it is your responsibility to contact your designer or sales rep.

*** Any information that is received and/or changed following receipt of the sign-off drawing and PO may result in additional costs that will be expensed to the client***

Signature _____ Date _____

REVISIONS			
REV	DESCRIPTION	DATE	DSGN
0	Drawing Creation Date	08.29.17	esh
1	Gate Meeting	08.31.17	esh
2	Remove UPS from cabinets and add an additional workstation.	09.26.17	esh
3	Update Cables and remove Anti-Microbial.	09.28.17	esh

Fayetteville Police Department 100 W. Rock Fayetteville, AR 72701	
DRAWING NAME: CABLE SHEET	OPPORTUNITY: 0013322
SHEET: CABLE SHEET	SCALE: NONE

		8207 SouthPark Circle Littleton, CO, 80120 1.800.788.2810 F.303.683.5454 www.xybix.com	
Designer: Emily Houston Email: emilyh@xybix.com	Sales Rep: Glen Hanson Email: glenh@xybix.com	REV 3	
NOTE: This design & layout is the property of XYBIX Systems, Inc. & is not to be used in any manner without express written permission by XYBIX Systems, Inc.			